



PM-275099A

2020-09

**Processes**



Stick (SMAW) Welding



TIG (GTAW) Welding

**Description**



Arc Welding Power Source

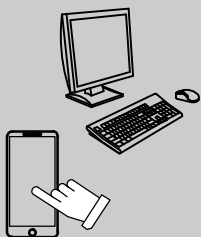
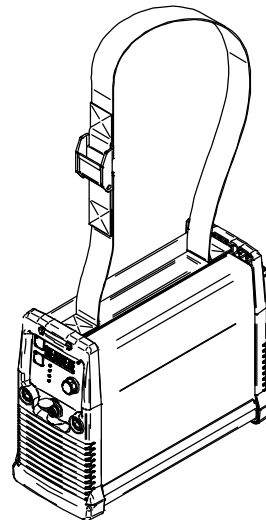
# Maxstar<sup>®</sup> 161 S

With Auto-Line<sup>™</sup>

Eff w/Serial No.

## MG440092L And Following

For OM-275099 Revision A Thru D

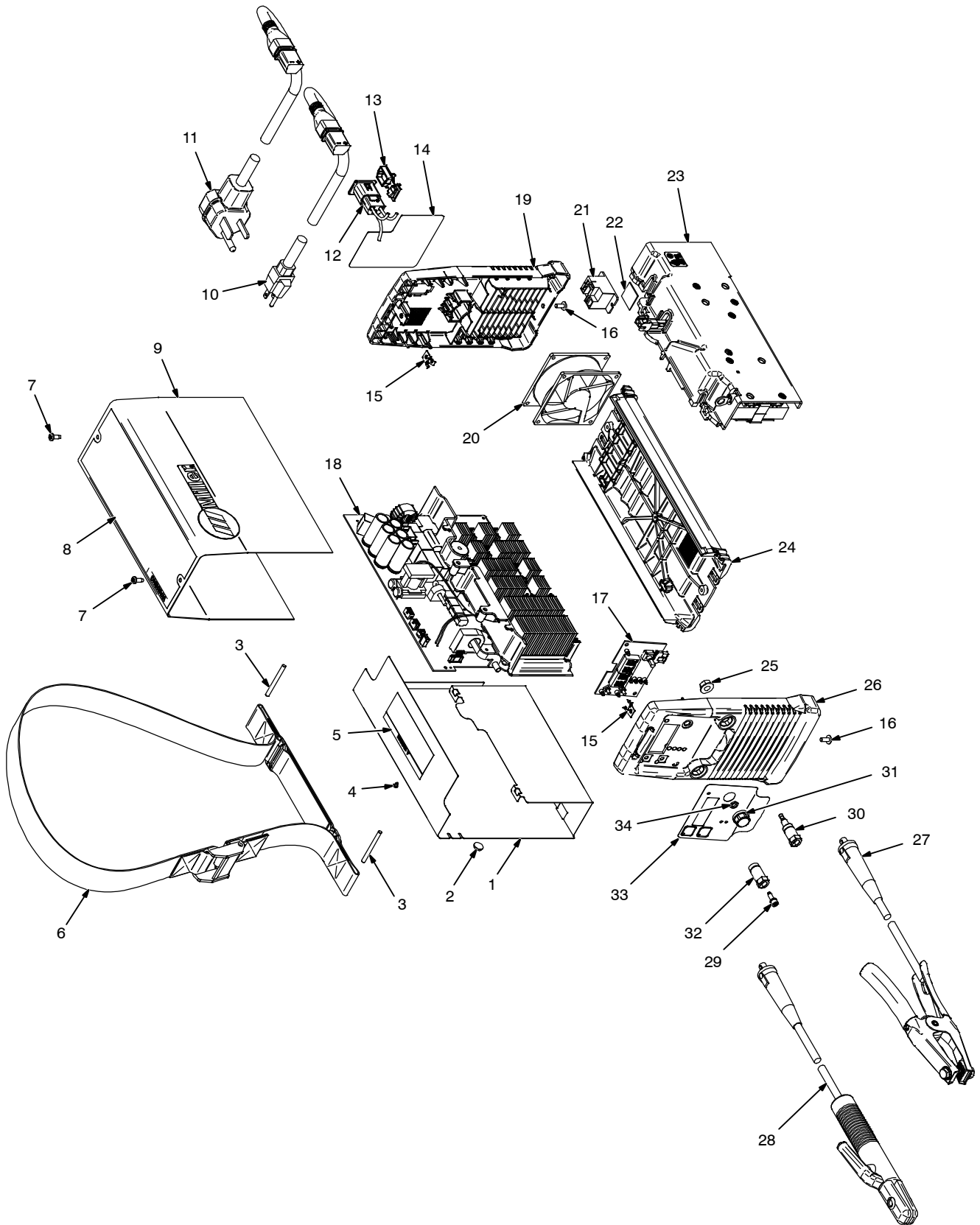


For product information,  
Owner's Manual translations,  
and more, visit

[www.MillerWelds.com](http://www.MillerWelds.com)

# PARTS MANUAL

# SECTION 1 – PARTS LIST FOR S MODELS MG440092L AND FOLLOWING



805578-A

**Figure 1-1. Main Assembly**

## Eff w/Serial No. MG440092L And Following

Item No.	Dia. Mkgs.	Part No.	Description	Quantity
<b>Figure 1-1 Main Assembly</b>				
... 1		+271781	Insulator, Heat/Sink Wrapper	1
... 2		221497	Bumper, Polyurethane .500 Od x .140 High Adh Backed	1
... 3		271799	Pin, Retaining .188 Od x 2.125 Lg	2
... 4		146549	Rivet, Plastic .122 Hole x .039-.079 Grip Push	1
... 5		208622	Label, Warn Elect Shock/Explode Parts/Do Not Remove	1
... 6		275817	Strap, Handle/Shoulder Assy	1
... 7		195666	Screw, 010-32 x .50 Pan Hd-Torx w/Gndrng Stl Pld	2
... 8		277200	Label, Warning General Precautionary (En/Fr/Sp)	1
... 9		+271784	Wrapper	1
... 10		278902	Cable, Power 2.0m 14Ga 3c 5-15p (125V/15A) To SDG	1
... 11		278903	Cable, Power 2.0m 12Ga 3c 5-50p (250V/50A) To SDG	1
... 12	RC1	274991	Receptacle, SDG 2.5mm Panel Mount Housing w/Leads	1
... 13		277017	Cover, Receptacle	1
... 14		275055	Nameplate, Maxstar 161 (Rear)	1
... 15		208558	Term, Frict 250 x 032 Uninsul Male 10-32 Mtg 45 Deg	2
... 16		208535	Screw, K50 x 12 Rnd Wshr Hd - Trx Stl Pld Delta Pt	2
... 17	PC2	272651	Circuit Card Assy, User Interface	1
... 18	PC1	278311	Circuit Card Assy, Windtunnel w/Cmpnts	1
... 19		274398	Panel, Rear	1
... 20	FM	271789	Fan, Muffin 24 VDC 92 x 38mm 5400 Rpm	1
... 21		206258	Relay, Encl 24 VDC SPST30S/24 VDC 4-Pin Flange Mtg	1
... 22		275818	Tape, Adh Double Sided 3M VHB .045in. x 1in. Square	1
... 23		273760	Windtunnel, Magnetics Assy w/HF	1
... 24		271781	Base (Order by Model and Serial Number)	1
... 25		208497	Nut, M5-.8 x 12mm Hex 8.3mm T Stl Pld Sem Con Washer	1
... 26		274397	Panel, Front w/HF	1
... 27		208561	Work Clamp, w/Cable & Connector - 10 Ft	1
... 28		208596	Holder, Electrode w/Cable & Connector	1
... 29		244862	Screw, M5-.8 x 12 Soc Hd - Torx Stl Pld Sems Piloted	1
... 30	NEG	208612	Rcpt Assy, Tw Lk Power/Gas Female Neg	1
... 31		230052	Knob, .840 Dia x 6mm Id w/Spring Clip - 4.5	1
... 32	POS	271791	Receptacle, Twist Lock Brass Power Female (Pos)	1
... 33		273308	Nameplate, Maxstar 161	1
... 34		254151	Nut, M07-.75 10mm Hex 2mm H Stl Pld	1

+ When ordering a component originally displaying a precautionary label, the label should also be ordered.  
**To maintain the factory original performance of your equipment, use only Manufacturer's Suggested Replacement Parts. Model and serial number required when ordering parts from your local distributor.**





PM-275099A

2020-09

**Processes**



Stick (SMAW) Welding



TIG (GTAW) Welding

**Description**



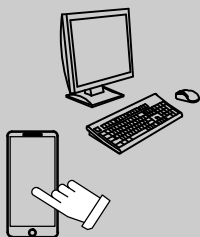
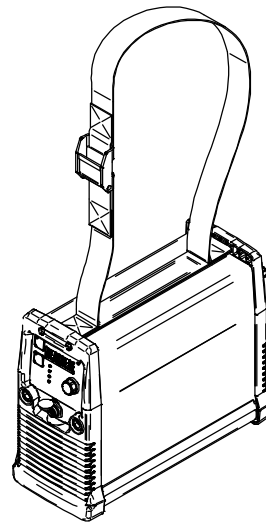
Arc Welding Power Source

# Maxstar<sup>®</sup> 161 STL

With Auto-Line<sup>™</sup>

**Eff w/Serial No.  
MG440092L And Following**

For OM-275099 Revision A Thru D

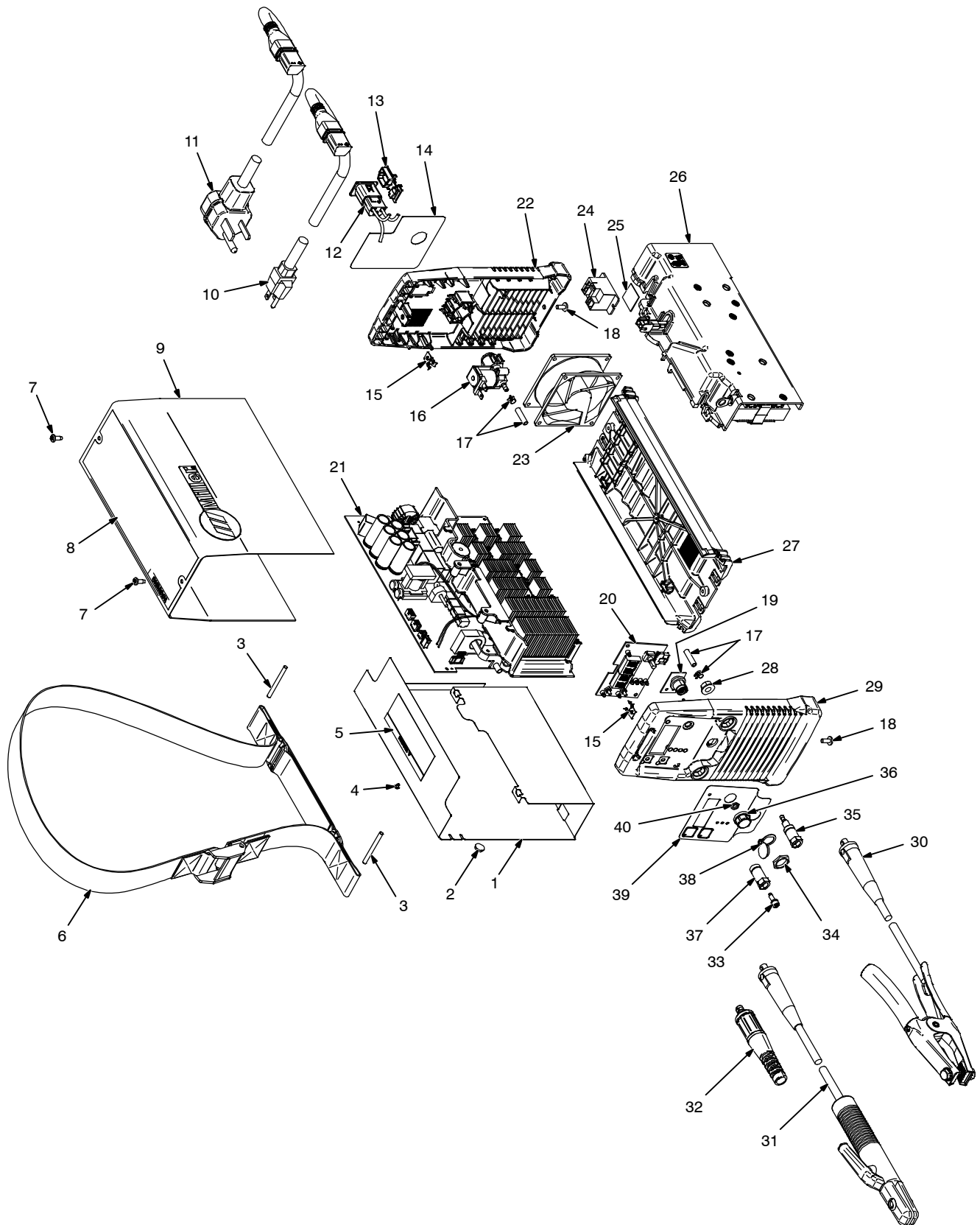


For product information,  
Owner's Manual translations,  
and more, visit

[www.MillerWelds.com](http://www.MillerWelds.com)

# PARTS MANUAL

# SECTION 2 – PARTS LIST FOR STL MODELS MG440092L AND FOLLOWING



805579-A

Figure 2-1. Main Assembly

## Eff w/Serial No. MG440092L And Following

Item No.	Dia. Mkgs.	Part No.	Description	Quantity
<b>Figure 2-1 Main Assembly</b>				
...	1	..	+271781 .. Insulator, Heat/Sink Wrapper .....	1
...	2	..	221497 .. Bumper, Polyurethane .500 Od x .140 High Adh Backed .....	1
...	3	..	271799 .. Pin, Retaining .188 Od x 2.125 Lg .....	2
...	4	..	146549 .. Rivet, Plastic .122 Hole x .039-.079 Grip Push .....	1
...	5	..	208622 .. Label, Warn Elect Shock/Explod Parts/Do Not Remove .....	1
...	6	..	275817 .. Strap, Handle/Shoulder Assy .....	1
...	7	..	195666 .. Screw, 010-32 x .50 Pan Hd-Torx w/Gndrng Stl Pld .....	2
...	8	..	277200 .. Label, Warning General Precautionary (En/Fr/Sp) .....	1
...	9	..	+271784 .. Wrapper .....	1
...	10	..	278902 .. Cable, Power 2.0m 14Ga 3c 5-15p(125V/15A) To SDG .....	1
...	11	..	278903 .. Cable, Power 2.0m 12Ga 3c 5-50p(250V/50A) To SDG .....	1
...	12	RC1	.. 274991 .. Receptacle, SDG 2.5mm Panel Mount Housing w/Leads .....	1
...	13	..	277017 .. Cover, Receptacle .....	1
...	14	..	275057 .. Nameplate, Maxstar 161 (Rear) .....	1
...	15	..	208558 .. Term, Frict 250 x 032 Uninsul Male 10-32 Mtg 45 Deg .....	2
...	16	..	219967 .. Valve, 14 VDC 2way .625-18 Thd 2.2mm Orf 90 PSI .....	1
...	17	..	271790 .. Hose, Poly Clear .170 Id x .250 Od x 11.000in. w/Clamps .....	1
...	18	..	208535 .. Screw, K50 x 12 Rnd Wshr Hd - Trx Stl Pld Delta Pt .....	2
...	19	PC3	.. 274565 .. Circuit Card Assy, 6 Pin Remote w/Cmpnts .....	1
...	20	PC2	.. 272651 .. Circuit Card Assy, User Interface .....	1
...	21	PC1	.. 278311 .. Circuit Card Assy, Windtunnel w/Cmpnts .....	1
...	22	..	271783 .. Panel, Rear .....	1
...	23	FM	.. 271789 .. Fan, Muffin 24 VDC 92x38mm 5400 Rpm .....	1
...	24	..	206258 .. Relay, Encl 24 VDC SPST30S/24 VDC 4-Pin Flange Mtg .....	1
...	25	..	275818 .. Tape, Adh Double Sided 3M VHB .045in. x 1in. Square .....	1
...	26	..	273760 .. Windtunnel, Magnetics Assy w/HF .....	1
...	27	..	271781 .. Base (Order by Model and Serial Number) .....	1
...	28	..	208497 .. Nut, M5-.8 x 12mm Hex 8.3mm T Stl Pld Sem Con Washer .....	1
...	29	..	271782 .. Panel, Front .....	1
...	30	..	208561 .. Work Clamp, w/Cable & Connector - 10 Ft .....	1
...	31	..	208596 .. Holder, Electrode w/Cable & Connector .....	1
...	32	..	273483 .. Adapter, Torch-Intnl Style Flow Thru .....	1
...	33	..	244862 .. Screw, M5-.8 x 12 Soc Hd - Torx Stl Pld Sems Piloted .....	1
...	34	..	208588 .. Nut, .625-27 .81 Hex .14 H Thermoplastic Black .....	1
...	35	NEG	.. 208612 .. Rcpt Assy, Tw Lk Power/Gas Female Neg .....	1
...	36	..	230052 .. Knob, .840 Dia x 6mm Id w/Spring Clip - 4.5 .....	1
...	37	POS	.. 271791 .. Receptacle, Twist Lock Brass Power Female (Pos) .....	1
...	38	..	208589 .. Cover, Dust Receptacle .....	1
...	39	..	273312 .. Nameplate, Maxstar 161 (Front) .....	1
...	40	..	254151 .. Nut, M07-.75 10mm Hex 2mm H Stl Pld .....	1

+ When ordering a component originally displaying a precautionary label, the label should also be ordered.  
**To maintain the factory original performance of your equipment, use only Manufacturer's Suggested Replacement Parts. Model and serial number required when ordering parts from your local distributor.**







PM-275099A

2020-09

**Processes**



Stick (SMAW) Welding



TIG (GTAW) Welding

**Description**



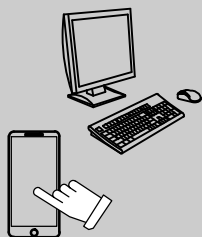
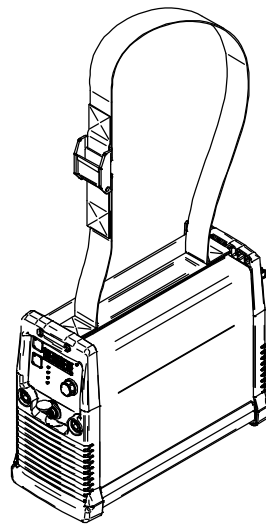
Arc Welding Power Source

# Maxstar<sup>®</sup> 161 STH

With Auto-Line<sup>™</sup>

## Eff w/Serial No. MG440092L And Following

For OM-275099 Revision A Thru D



For product information,  
Owner's Manual translations,  
and more, visit

[www.MillerWelds.com](http://www.MillerWelds.com)

# PARTS MANUAL

# SECTION 3 – PARTS LIST FOR STH MODELS MG440092L AND FOLLOWING

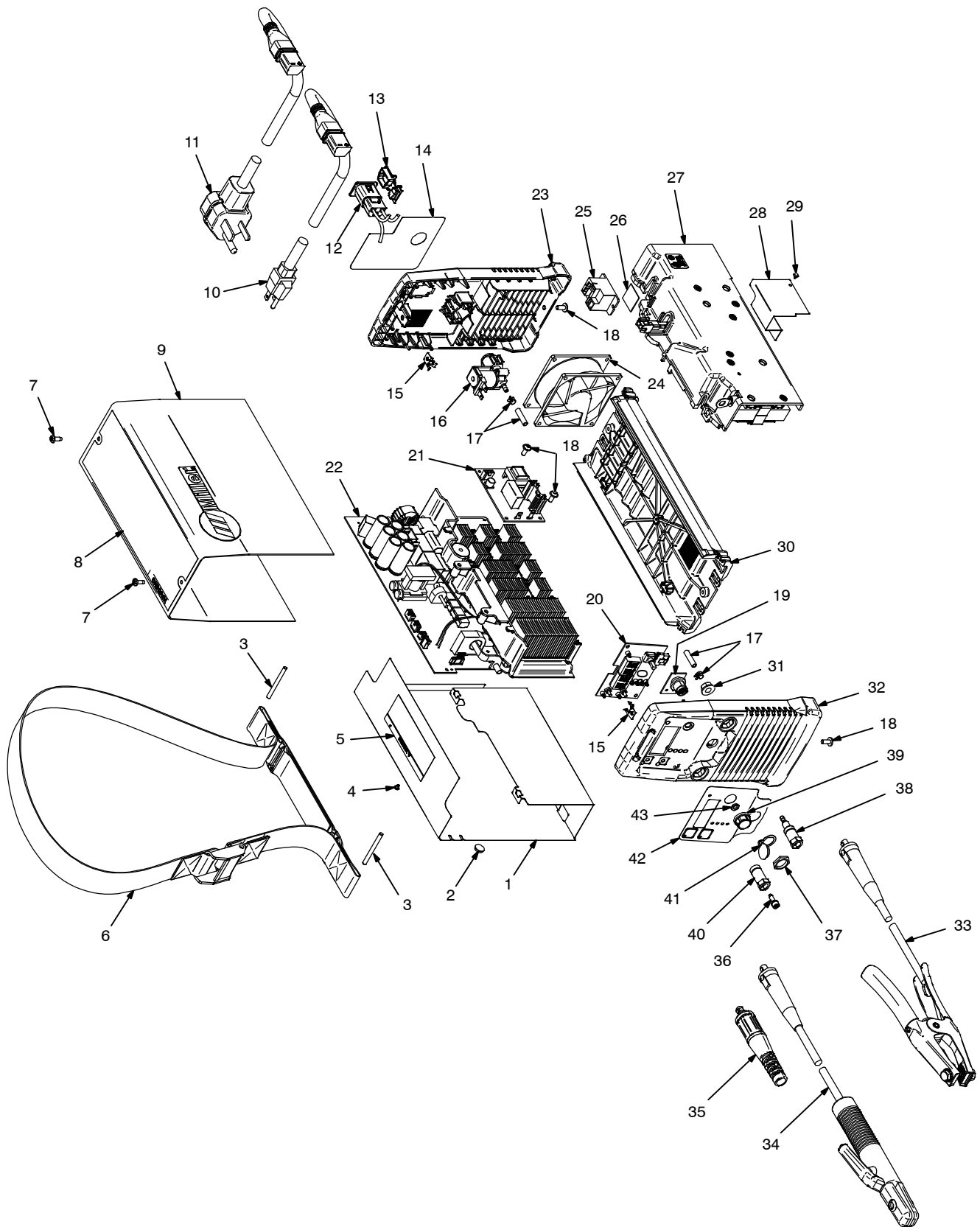


Figure 3-1. Main Assembly

805580-A

## Eff w/Serial No. MG440092L And Following

Item No.	Dia. Mkgs.	Part No.	Description	Quantity
<b>Figure 3-1. Main Assembly</b>				
... 1		+271781	Insulator, Heat/Sink Wrapper	1
... 2		221497	Bumper, Polyurethane .500 Od x .140 High Adh Backed	1
... 3		271799	Pin, Retaining .188 Od x 2.125 Lg	2
... 4		146549	Rivet, Plastic .122 Hole x .039-.079 Grip Push	1
... 5		208622	Label, Warn Elect Shock/Explod Parts/Do Not Remove	1
... 6		275817	Strap, Handle/Shoulder Assy	1
... 7		195666	Screw, 010-32 x .50 Pan Hd-Torx w/Gndrng Stl Pld	2
... 8		277200	Label, Warning General Precautionary (En/Fr/Sp)	1
... 9		+271784	Wrapper	1
... 10		278902	Cable, Power 2.0m 14Ga 3c 5-15p (125V/15A) To SDG	1
... 11		278903	Cable, Power 2.0m 12Ga 3c 5-50p (250V/50A) To SDG	1
... 12	RC1	274991	Receptacle, SDG 2.5mm Panel Mount Housing w/Leads	1
... 13		277017	Cover, Receptacle	1
... 14		275059	Nameplate, Maxstar 161 (Rear)	1
... 15		208558	Term, Frict .250 x .032 Uninsul Male 10-32 Mtg 45 Deg	2
... 16		219967	Valve, 14 VDC 2way .625-18 Thd 2.2mm Orf 90 PSI	1
... 17		271790	Hose, Poly Clear .170 Id x .250 Od x 11.000in. w/Clamps	1
... 18		208535	Screw, K50x 12 Rnd Wshr Hd - Trx Stl Pld Delta Pt	4
... 19	PC3	274565	Circuit Card Assy, 6 Pin Remote w/Cmpnts	1
... 20	PC2	272651	Circuit Card Assy, User Interface	1
... 21	PC4	228593	Circuit Card Assy, Arc Starter (CE)	1
... 22	PC1	278311	Circuit Card Assy, Windtunnel w/Cmpnts	1
... 23		271783	Panel, Rear	1
... 24	FM	271789	Fan, Muffin 24 VDC 92x38mm 5400 Rpm	1
... 25		206258	Relay, Encl 24 VDC SPST30S/24 VDC 4-Pin Flange Mtg	1
... 26		275818	Tape, Adh Double Sided 3M VHB .045in. x 1in. Square	1
... 27		273761	Windtunnel, Magnetics Assy w/HF	1
... 28		208552	Insulator, Negative Stud	1
... 29		146549	Rivet, Plastic .122 Hole x .039-.079 Grip Push	1
... 30		271781	Base (Order by Model and Serial Number)	1
... 31		208497	Nut, M5-.8 x 12mm Hex 8.3mm T Stl Pld Sem Con Washer	1
... 32		271782	Panel, Front	1
... 33		208561	Work Clamp, w/Cable & Connector - 10 Ft	1
... 34		208596	Holder, Electrode w/Cable & Connector	1
... 35		273483	Adapter, Torch-Intnl Style Flow Thru	1
... 36		244862	Screw, M5-.8 x 12 Soc Hd - Torx Stl Pld Sems Piloted	1
... 37		208588	Nut, .625-27 .81 Hex .14 H Thermoplastic Black	1
... 38	NEG	208612	Rcpt Assy, Tw Lk Power/Gas Female Neg	1
... 39		230052	Knob, .840 Dia x 6mm Id w/Spring Clip - 4.5	1
... 40	POS	271791	Receptacle, Twist Lock Brass Power Female (Pos)	1
... 41		208589	Cover, Dust Receptacle	1
... 42		273310	Nameplate, Maxstar 161 (Front)	1
... 43		254151	Nut, M07-.75 10mm Hex 2mm H Stl Pld	1

+ When ordering a component originally displaying a precautionary label, the label should also be ordered.  
**To maintain the factory original performance of your equipment, use only Manufacturer's Suggested Replacement Parts. Model and serial number required when ordering parts from your local distributor.**

**Miller Electric Mfg. LLC**

An Illinois Tool Works Company  
1635 West Spencer Street  
Appleton, WI 54914 USA

**International Headquarters—USA**

USA Phone: 920-735-4505 Auto-Attended  
USA & Canada FAX: 920-735-4134  
International FAX: 920-735-4125

For International Locations Visit

[www.MillerWelds.com](http://www.MillerWelds.com)

